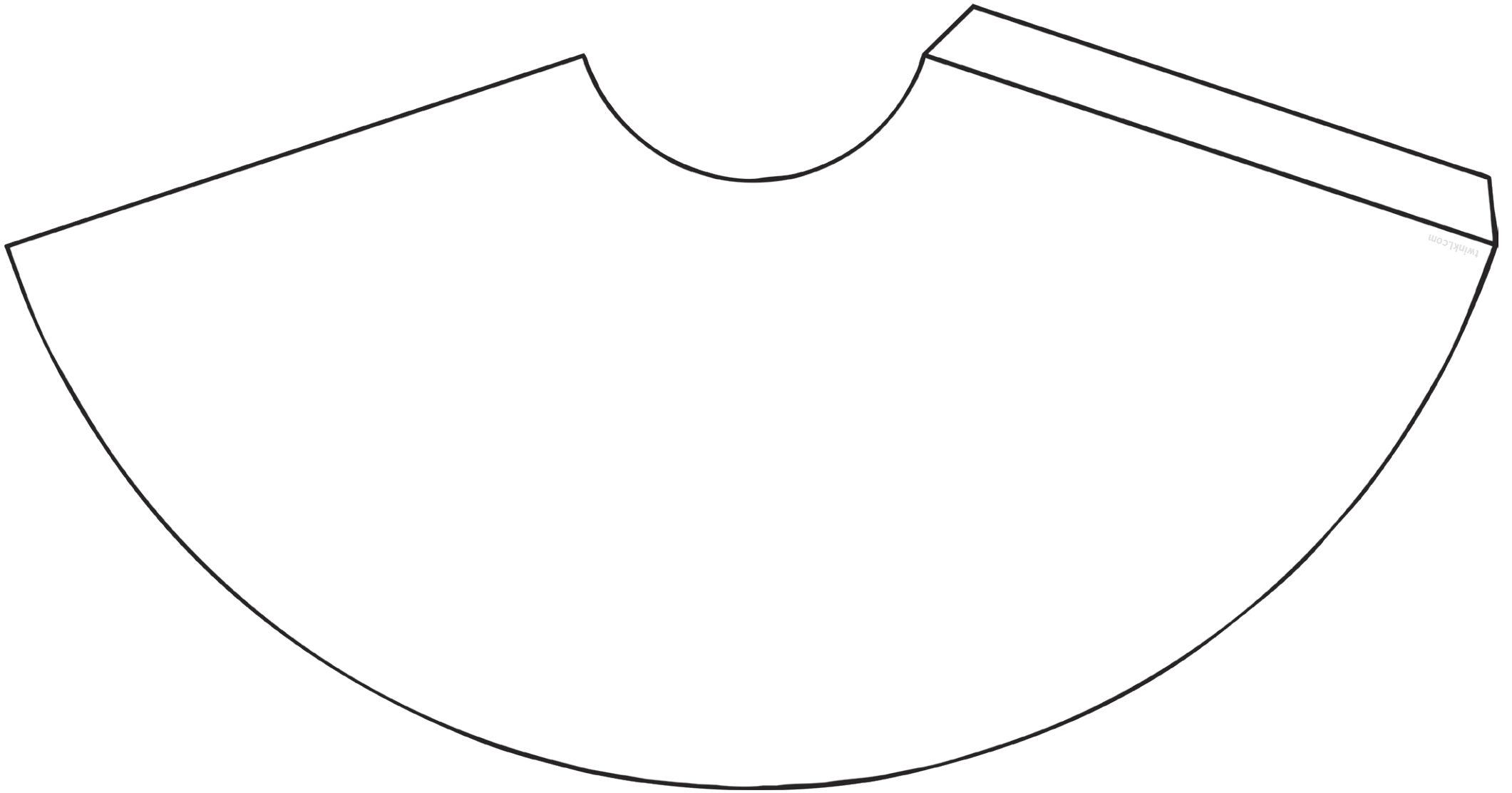
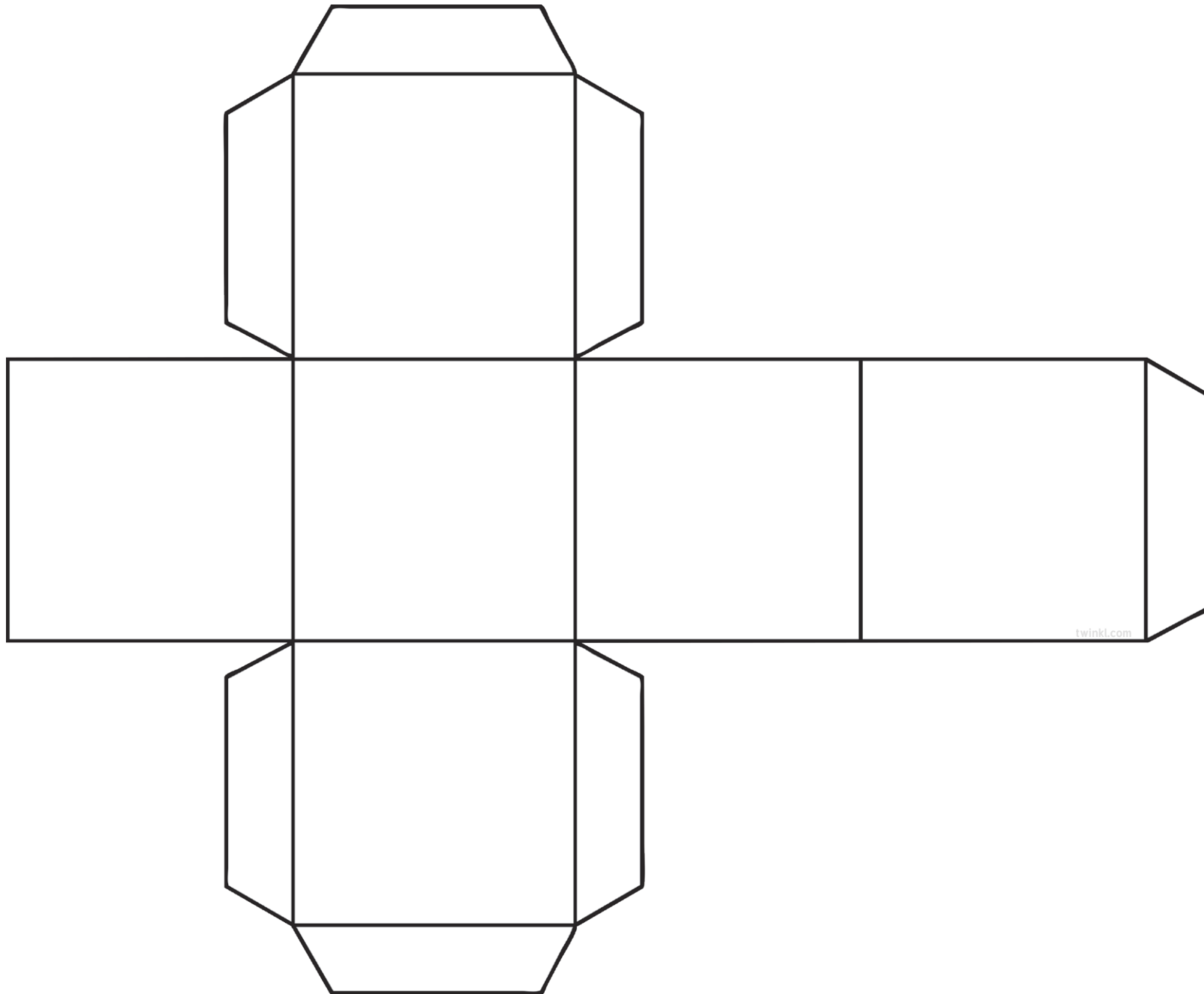


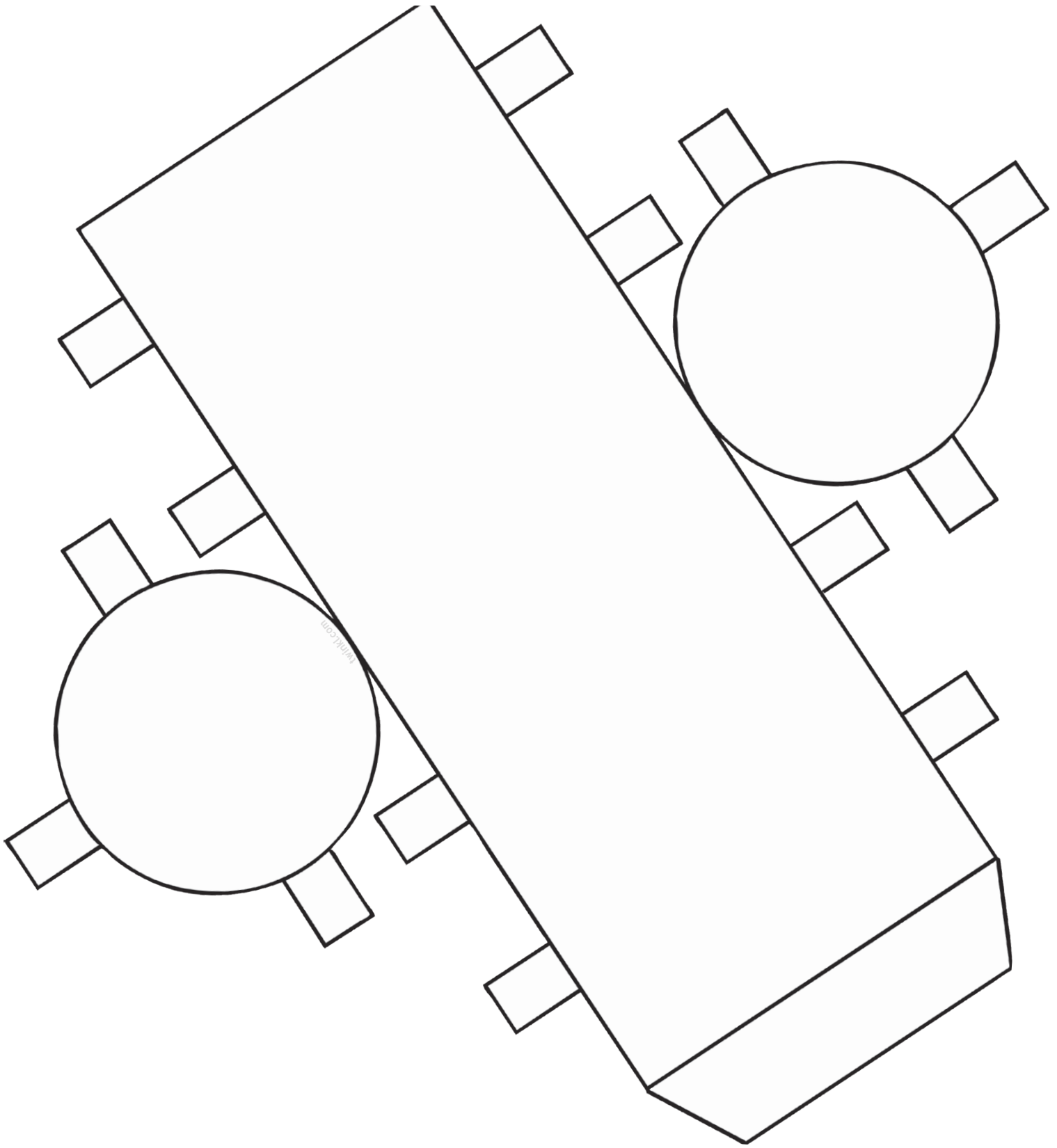
Cone



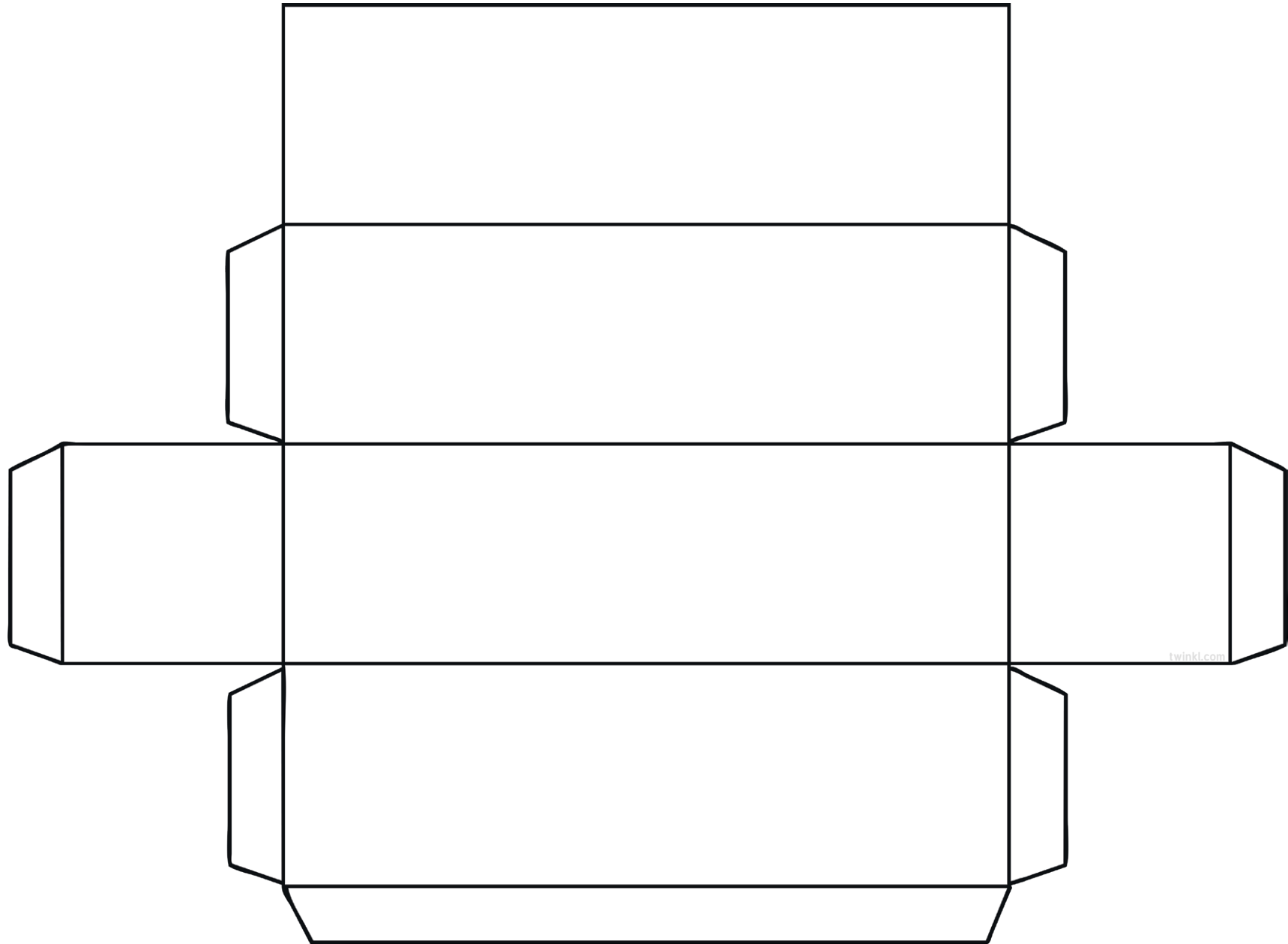
Cube



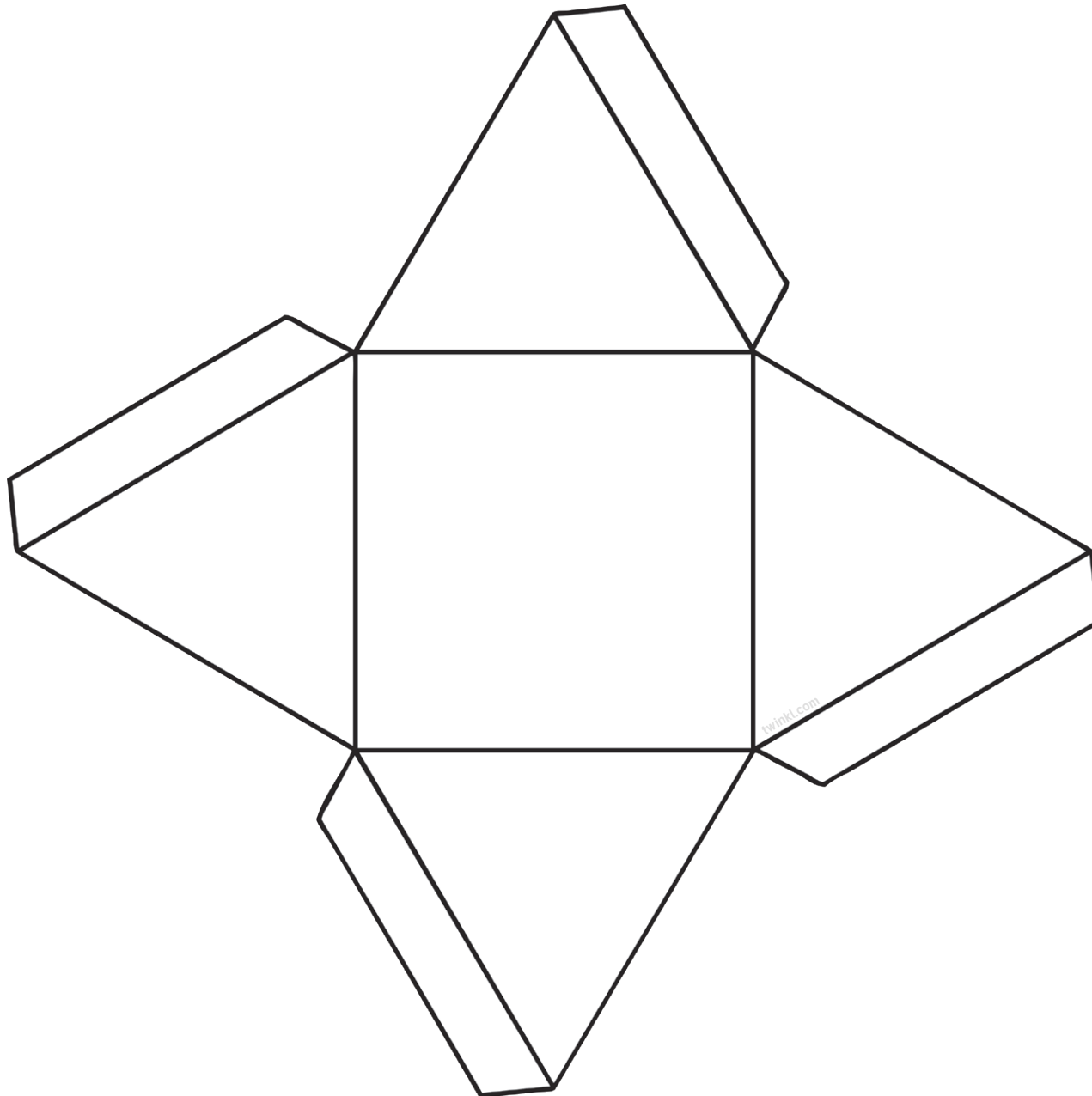
Cylinder



Cuboid



Square-based Pyramid



Triangular Prism

